

# SANUS®

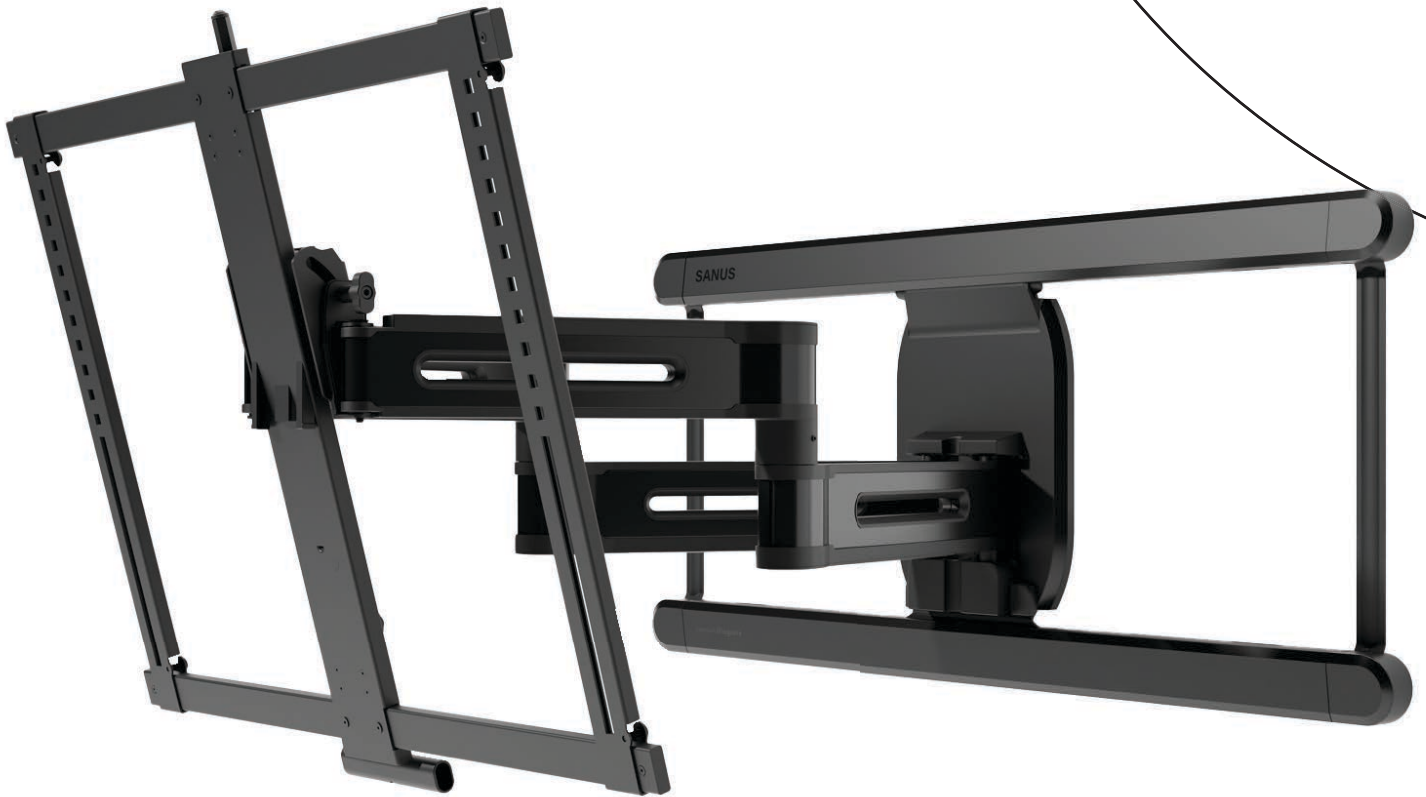
A brand of **legrand**

## FULL-MOTION **4D+SHIFT™** TV WALL MOUNT FOR TVS 42"-90"

The Sanus Advanced Full-Motion 4D + Shift TV Wall Mount for TVs 42"-90" presents the newest technology from Sanus to bring your TV viewing experience to new heights. With the 4D™ + SHIFT height adjustment feature, you can enjoy up to eight inches of movement for precision TV positioning on the wall, making this mount an ideal solution for when mounting a TV above a fireplace mantle, above a TV console, or even when you have to position around a pre-existing outlet on the wall. This SHIFT feature also allows you to raise your TV at a later time to provide enough space to add in a soundbar or accommodate seasonal decorations that may interfere with the screen of the TV.



Model **VLF828**



# SANUS®

A brand of **legrand**



### EASY HEIGHT ADJUST

Twist handle to raise or lower TV



### PERFECT POSITIONING

Raise TV 4" or lower 4" from center



### MAKE ROOM

Add a soundbar or décor later



### INTEGRATED CABLE MANAGEMENT

Route and hide cables for a clean look



### MOVE WITH EASE

Use handle to assist with larger TVs



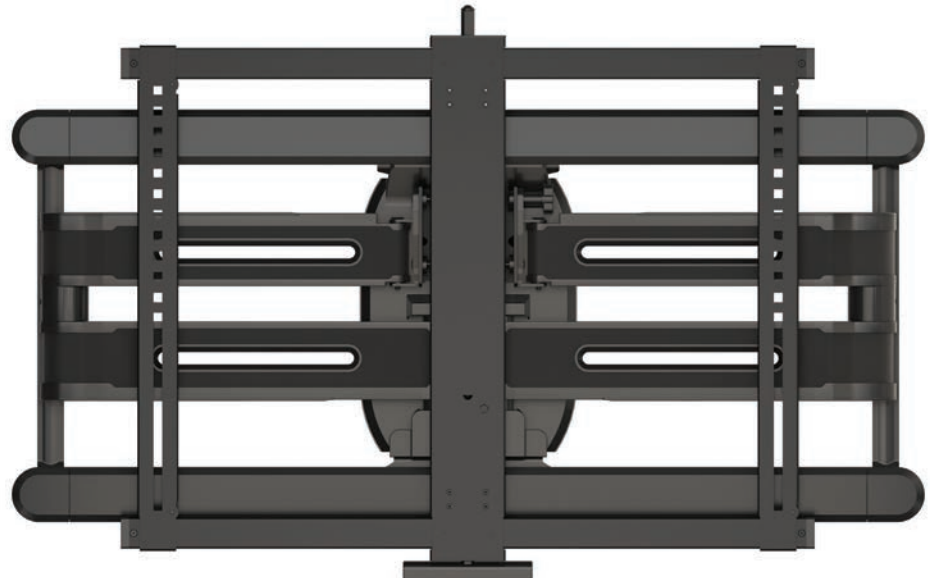
### SLIM PROFILE

TV sits just 2.42" from wall



### FLUID MOTION™ DESIGN

Extends 28" from the wall



#### MODEL

VLF828-B2

#### UPC

793795539946

#### PRODUCT DIMENSIONS (L X W X D)

34.8"W x 2.42"D x 20.79"H / 88.3cm x 6.16 cm x 52.8 cm

#### PACKAGE DIMENSIONS (L X W X D)

39.34 x 23.83 x 5.63 / 99.92 cm x 60.52 cm x 14.30 cm

#### MASTER PACK DIMENSIONS (L X W X D)

40.19"L x 24.52"W x 6.32"D / 102.08 cm x 62.28 cm x 16.05cm

#### COMPATIBLE FOR MOST TVs

42" to 90"

#### TV SIZE WEIGHT CAPACITY

125 lbs. / 56.7 kg.

#### PACKAGING WEIGHT

47.9 lbs. / 21.7 kg.

#### MASTER PACK WEIGHT

52.57 lbs. / 23.84 kg.

#### MASTER PACK QUANTITY

1

#### MOUNTING PATTERN (VESA)

Minimum 100 x 200  
Maximum 600 x 400

