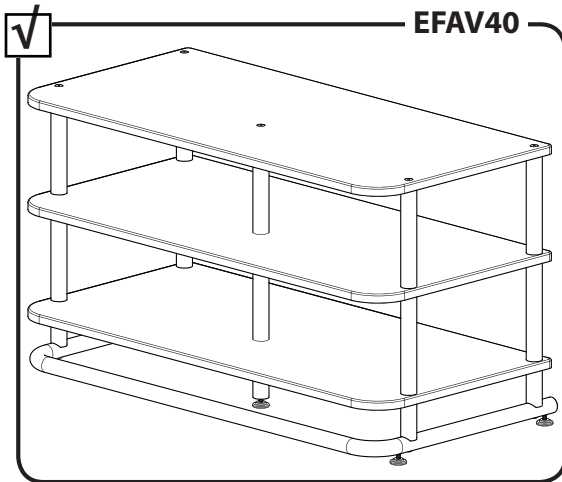
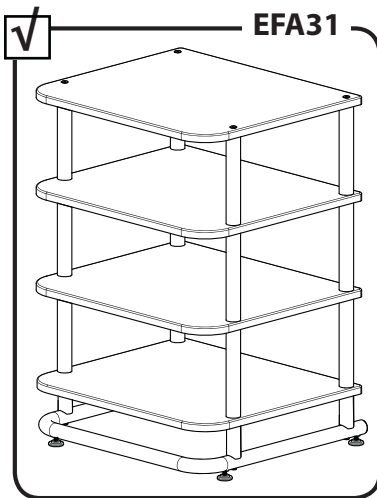
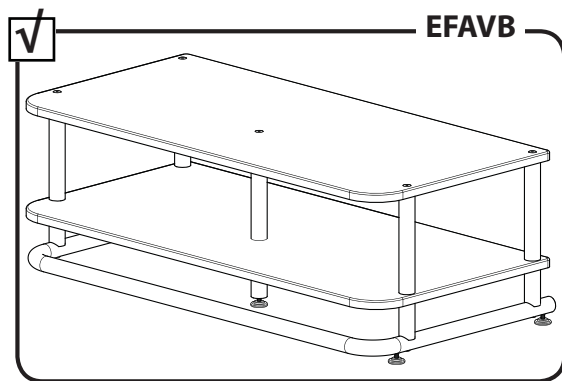
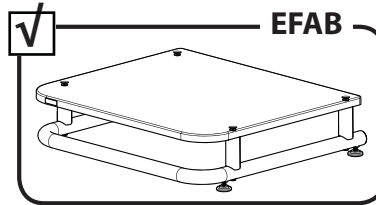


SANUS™ FOUNDATIONS

CK2

(6901-002100 <00>)



Sanus Systems

2221 Hwy 36 West
Saint Paul, MN 55113 USA

Customer Service

Americas: 800-359-5520 • 651-484-7988 • info@sanus.com
Europe, Middle East, and Africa: + 31 40 2324700 • europe.sanus@milestone.com
Asia Pacific: 86 755 8996 9226 • sanus.ap@milestone.com

sanus.com

©2010 Milestone AV Technologies, a Duchossois Group Company.
All rights reserved. Sanus is a division of Milestone.

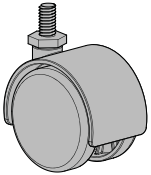
All other brand names or marks are used for identification purposes and are trademarks of their respective owners.

IMPORTANT SAFETY INSTRUCTIONS – SAVE THESE INSTRUCTIONS – PLEASE READ ENTIRE MANUAL BEFORE USING THIS PRODUCT
Weight capacity-**DO NOT EXCEED**: Refer to your furniture manual for maximum weight capacity.

⚠ CAUTION: Avoid potential personal injuries and property damage!

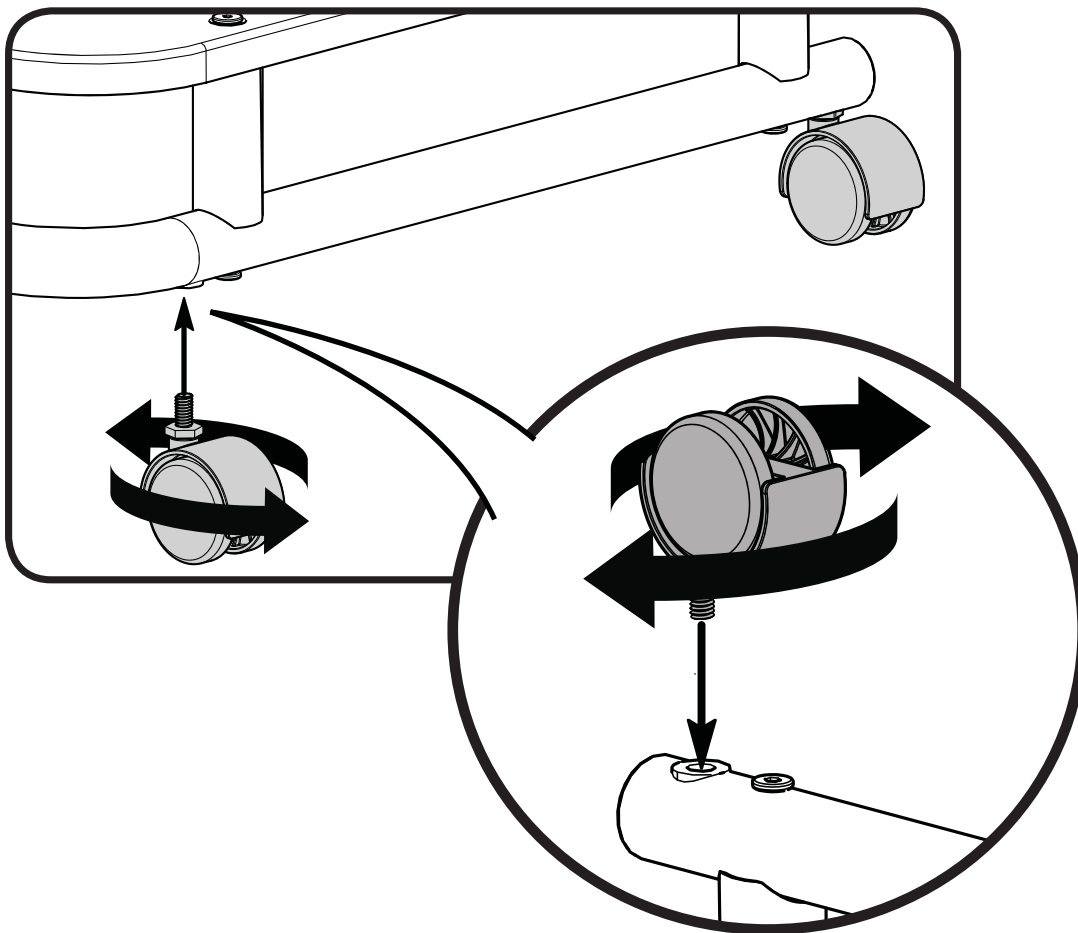
- ✘ Do not use this product for any purpose not explicitly specified by manufacturer.
- ✘ If you do not understand these instructions, or have doubts about the safety of the installation, assembly or use of this product, contact manufacturer Customer Service or call a qualified contractor.
- ✘ Manufacturer is not responsible for damage or injury caused by incorrect assembly or use.

Supplied Parts and Hardware



x 5

Screw casters into furniture base.



Milestone AV Technologies and its affiliated corporations and subsidiaries (collectively, "Milestone"), intend to make this manual accurate and complete. However, Milestone makes no claim that the information contained herein covers all details, conditions, or variations. Nor does it provide for every possible contingency in connection with the installation or use of this product. The information contained in this document is subject to change without notice or obligation of any kind. Milestone makes no representation of warranty, expressed or implied, regarding the information contained herein. Milestone assumes no responsibility for accuracy, completeness or sufficiency of the information contained in this document.